



INSTALLATION INSTRUCTIONS

JEEP 2007-2010 JK TAILGATE SECURITY ENCLOSURE #286

Call (800) 348-8339 for Technical Support

Please read and fill out the enclosed warranty registration card to activate your warranty.

PARTS CHECKLIST



#1 Lid & #2 Front Panel hinged together (rotate panels open)



#3 Front Panel Extension



#4 Left Mounting Bracket



#5 Right Mounting Bracket

SHIPPING PACKAGE CHECKLIST



#6.1 - (8) 5/16-18 x 3/4" CARRIAGE BOLTS



#6.2 - (8) 5/16" WASHERS



#6.4 - (8) 5/16-18 NYLOCK NUTS



#6.12, #6.13, #6.9 & #6.38 RUBBER EDGE TRIM

TOOLS NEEDED

- 18mm socket and wrench (2-door model only)
- 15mm socket and wrench (2 or 4-door models with OEM subwoofer)
- 1/2" socket and wrench (All applications)
- Drill with 3/8" drill bit (Required for 4-door model, Optional for 2-door model)

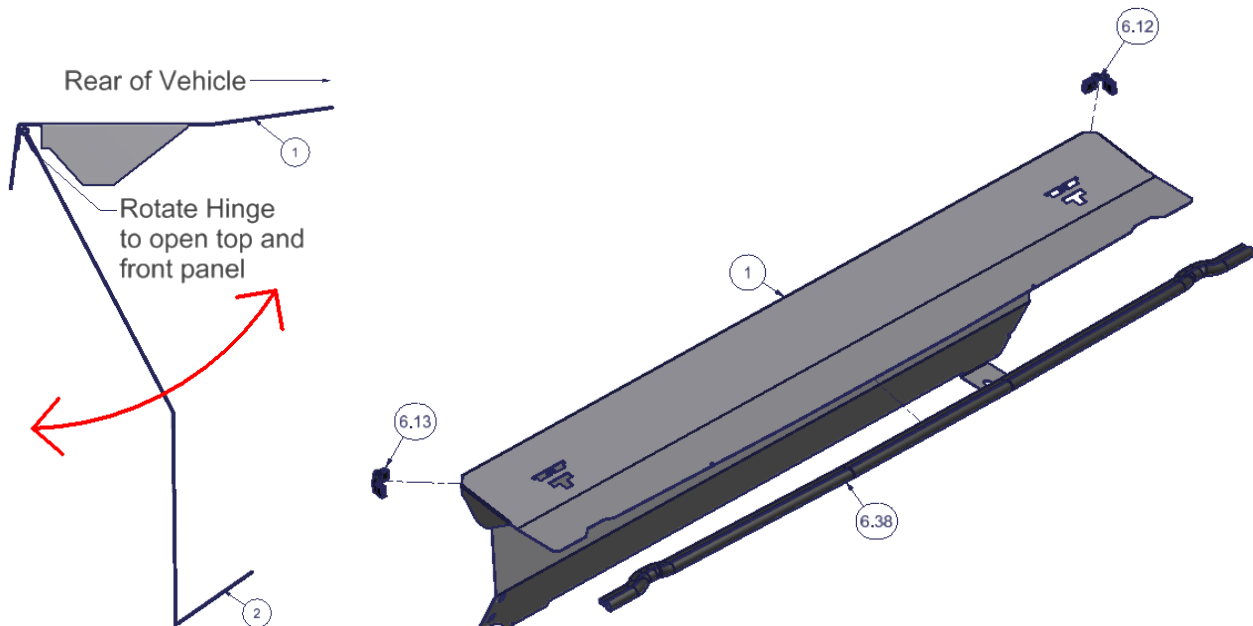
ATTENTION:

- **THIS ENCLOSURE WAS DESIGNED FOR A STOCK OEM VEHICLE, ANY MODIFICATIONS MADE MAY AFFECT THE FIT INCLUDING: CARPET REMOVAL/CHANGES, SEATS, ETC.**
- **If installing the #286 Tailgate Security Enclosure on a vehicle with a soft-top, it will be easier to remove the (2) soft-top rear window bar clips located to either side of the tailgate. Once the assembly is properly installed, the clips can be re-installed by pressing the lid downwards and clipping the clips under the body lip.**
- **On Jeep Wrangler JK vehicles with Manual Door Locks only, the rear tailgate lock must be locked manually with key in order for Tuffy enclosure security to function. Vehicles with Power Door Locks by default also feature Remote Keyless Entry and the Vehicle Security Alarm. Arming of the Vehicle Security Alarm (by locking the doors with either the key fob or interior power door lock switch) automatically disables the interior power door lock switches and ensures the tailgate and Tuffy enclosure are secure, even on softtop models or with the top removed. There is a 16-second alarm arming period during which the interior power door lock switches remain active.**
- **For safety do not place any items on top of the enclosure that are not adequately secured to the vehicle to prevent movement in the event of an accident or abrupt speed changes.**

PLEASE READ ALL INSTRUCTIONS THOROUGHLY BEFORE STARTING INSTALLATION.

1. **IMPORTANT!** Make sure the vehicle is parked on a flat surface, placed in park, and the emergency brake is activated.
2. If installing the #286 Security Enclosure in a 2-door vehicle, fold and tumble the rear seat forward temporarily to allow plenty of access for installation. The seat can be set upright again following installation.
3. Rotate the panels open and install the #6.38 Rubber Edge Trim onto the rear edge of the #1 Lid. Install the #6.12 and #6.13 Small bulb Rubber Edge Trim pieces onto the left and right side roll bar notch, as illustrated. The grip side on each trim piece mounts to the vertical edges with the bulb center running along the horizontal edge. (Figure 1)

FIGURE 1



INSTALLATION IN A 2-DOOR WITHOUT OEM SUB-WOOFER

4. Loosely assemble the #2 Front Panel, #3 Front Panel Extension, #4 Left Mounting Bracket, and #5 Right Mounting Bracket using the supplied #6.1 bolts, #6.2 washers, and #6.4 nuts, as illustrated. Leave all fasteners hand tight at this point. Note: The #3 Front Panel Extension is installed to the rear side of the #2 Front Panel only and does not attach to the top panel so it will still rotate freely. (Figure 2a)
5. Remove the (2) #9.7 OEM Rear seatbelt securing nuts with an 18mm socket and wrench. (Figure 2a)
6. Insert the assembly into position by maneuvering it so the tabs on the #1 lid with rubber edge trim #6.38 slip under the hardtop mounting lips at the rear of the vehicle body. Then maneuver the assembly down so the rubber edge trim #6.12 and #6.13 are against the roll bar assembly. Rotate the hinged connection between the two panels to aid while positioning the assembly. Be sure to keep the #6.12 & #6.13 rubber edge trim in position when installing the assembly in order to insure a proper seal between the Lid and the roll bar. (Figure 3)
7. The #4 and #5 mounting brackets should be positioned on the rear seatbelt body mounted studs on top of the tabs then re-install the #9.7 OEM Rear seat belt nuts. Tighten the nuts to factory torque specifications. (Figure 2a)
8. Press the #3 Front Panel Extension as far outboard as possible to ensure a tight fit to the fender wells on both sides, tighten the (2) bolts securing the Front Panel and Extension together. (Figure 2a)
9. Tighten the fasteners #6.1, #6.2 and #6.4 mounting the #4 & #5 brackets to the front panel.

FIGURE 2a

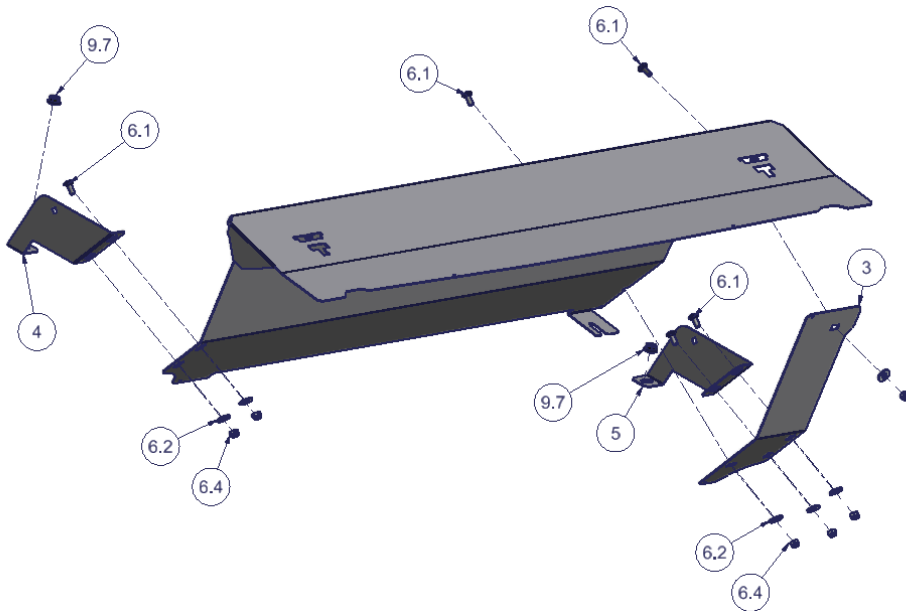
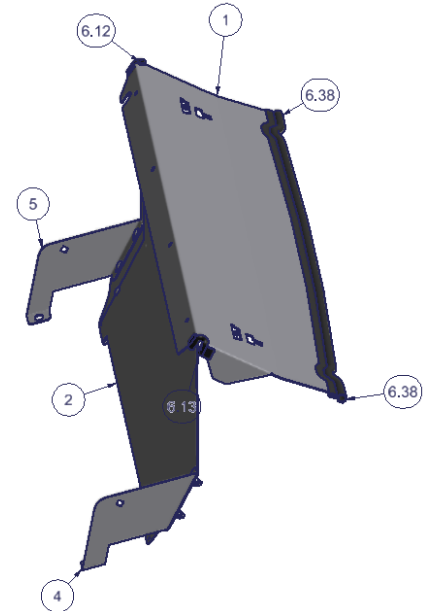


FIGURE 3



ASSEMBLY FOR A 2-DOOR WITH OEM SUB-WOOFER

10. Loosely assemble the #2 Front Panel and #4 Left Mounting Bracket using the supplied #6.1 bolts, #6.2 washers, and #6.4 nuts, as illustrated. Leave all fasteners hand tight at the point. (Figure 2b)
11. Install the #6.9 Rubber Edge Trim to the sub-woofer notch of the #2 Front Panel. (Figure 2b)
12. Remove the (1) #9.7 OEM Rear seat belt securing nut ON THE DRIVER'S (LEFT) SIDE with an 18mm socket and wrench. Remove or sufficiently loosen the #6.14 OEM Sub-woofer mounting acorn nuts with a 15mm socket and wrench. (Figure 2b)
13. Insert the assembly into position by maneuvering it so the tabs on the #1 lid with rubber edge trim #6.38 slip under the hardtop mounting lip at the rear of the vehicle body. Then maneuver the assembly down so the rubber edge trim #6.12 and #6.13 are against the roll bar assembly. Rotate the hinged connection between the two panels to aid while positioning the assembly. Be sure to keep the #6.12 & #6.13 rubber edge trim in position when installing the assembly in order to insure a proper seal between the Lid and the roll bar. (Figure 3)
14. Slide the flange on the #2 Front Panel under the sub-woofer. The #4 mounting bracket should also be positioned on the rear seat belt body mounted stud then re-install the #9.7 OEM Rear seat belt nut. Tighten all to factory torque specifications. (Figure 2b)
15. Be sure the #2 Front Panel is pulled as far rearward as possible then re-tighten the #6.14 sub-woofer acorn nuts. (Figure 2b)

FIGURE 2b

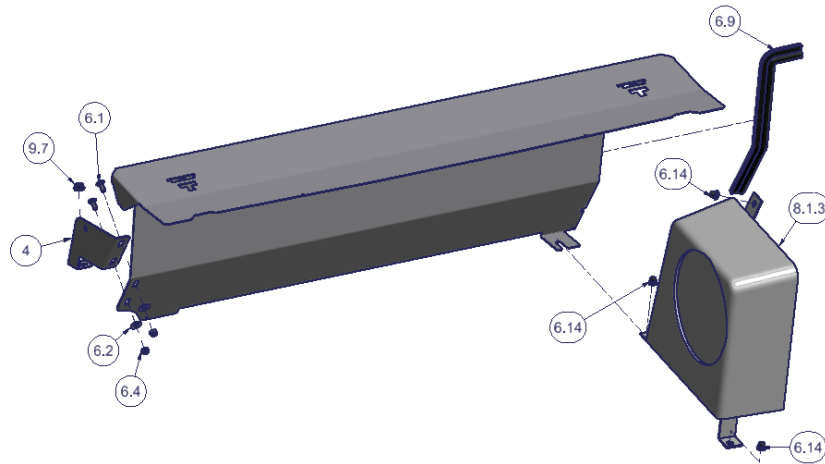
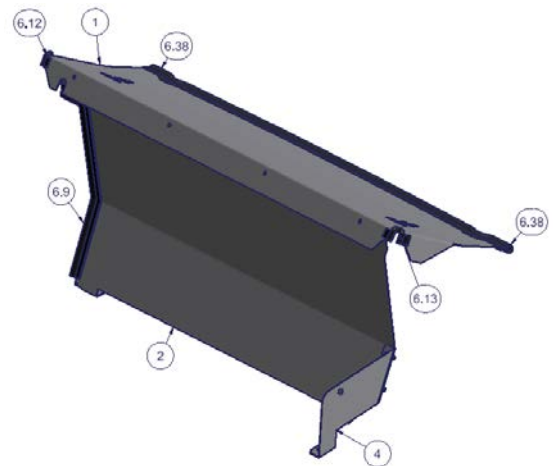


FIGURE 3



INSTALLATIONS IN A 4-DOOR WITH OEM SUB-WOOFER

16. Remove or sufficiently loosen the #6.14 OEM Sub-woofer mounting acorn nuts with a 15mm socket and wrench. (Figure 2c)
17. Loosely assemble the #2 Front Panel and #4 Left Mounting Bracket using the supplied #6.1 bolts, #6.2 washers, and #6.4 nuts, as illustrated. Leave all fasteners hand tight at the point. (Figure 2c)
18. Install the #6.9 Rubber Edge Trim to the subwoofer cutout on the #2 Front Panel. (Figure 2c)
19. Insert the assembly into position by maneuvering it so the tabs on the #1 lid with rubber edge trim #6.38 slip under the hardtop mounting lip at the rear of the vehicle body. Then maneuver the assembly down so the rubber edge trim #6.12 and #6.13 are against the roll bar assembly. Rotate the hinged connection between the two panels to aid while positioning the assembly. Be sure to keep the #6.12 & #6.13 rubber edge trim in position when installing the assembly in order to insure a proper seal between the Lid and the roll bar. (Figure 3)
20. Slide the flange on the #2 Front Panel under the sub-woofer. Also, the bottom bolt flange on the #4 Mounting Bracket may need to be bent inward to allow the #2 Front Panel to sit flush to the cargo floor. (Figure 2c)
21. Re-install the #6.14 sub-woofer acorn nuts. (Figure 2c)

FIGURE 2c

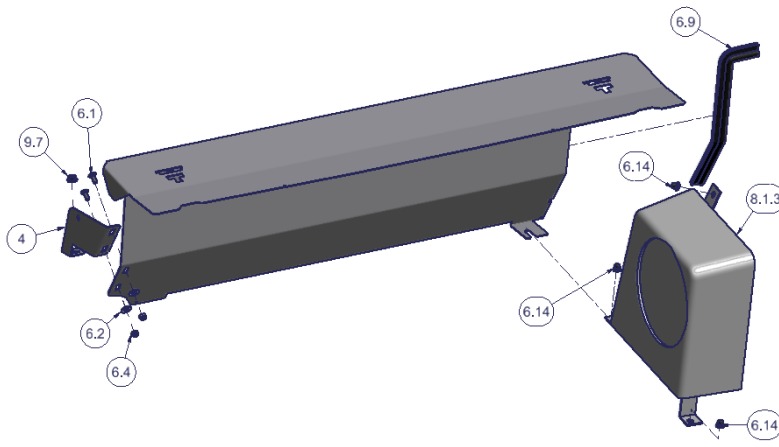
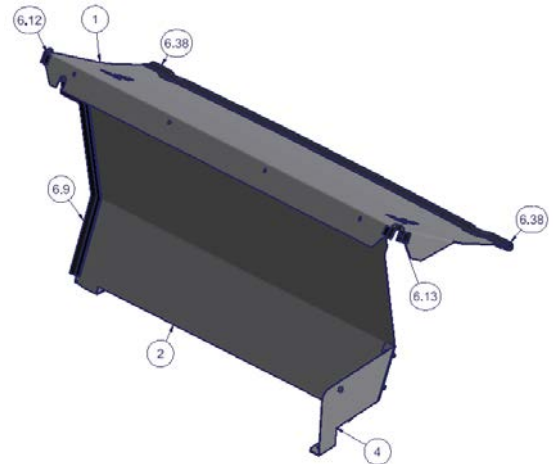


FIGURE 3



22. Be sure the #2 Front Panel is aligned, centered, and positioned in the vehicle as desired. Verify the #9 OEM Rear Storage Cover (or #143 Tuffy Cubby Cover, if installed) has adequate clearance for operation. Be sure the #2 Front Panel is pushed as far downward as possible for a tight fit to the cargo floor. (Figure 4)
23. Mark the fender well using the hole in the #4 brackets as a template as illustrated. Then using a drill and 3/8" drill bit, drill through the driver side fender well at the square hole in the #4 brackets. Be sure to pull the plastic fender liner out of the way to avoid drilling through the fender liner. Bracket 5 is displayed in the image but only used if there is no subwoofer. (Figure 4)

Warning! Be sure there is nothing on the outside of the vehicle fender well which will be damaged when drilling. Most vehicles have a plastic fender liner that should be pulled temporarily out of the way. Be sure to touch-up paint or apply RTV sealant to the drilled holes to prevent corrosion.

24. Install #6.1 bolts, #6.2 washers, and #6.4 nuts through the #4 mounting bracket and through the drilled holes in the fender wells. The hole cut in the #4 brackets is square to work with the provided #6.1 carriage bolt and aid in tightening. (Figure 4)

ASSEMBLY FOR A 4-DOOR WITHOUT OEM SUB-WOOFER

25. Loosely assemble the #2 Front Panel, #3 Front Panel Extension, #4 Left Mounting Bracket, and #5 Right Mounting Bracket using the supplied #6.1 bolts, #6.2 washers, and #6.4 nuts, as illustrated. Leave all fasteners hand tight at this point. Note: The #3 Front Panel Extension is installed to the rear side of the #2 Front Panel only and does not attach to the top panel so it will still rotate freely. (Figure 2d)
26. Insert the assembly into position by maneuvering it so the tabs on the #1 lid with rubber edge trim #6.38 slip under the hardtop mounting lip at the rear of the vehicle body. Then maneuver the assembly down so the rubber edge trim #6.12 and #6.13 are against the roll bar assembly. Rotate the hinged connection between the two panels to aid while positioning the assembly. Be sure to keep the #6.12 & #6.13 rubber edge trim in position when installing the assembly in order to insure a proper seal between the Lid and the roll bar. Align the #2 Front Panel approximately ½" forward of the seam in the #9.2 OEM Rear Storage Cover. **Note the bottom bolt flange on the #4 and #5 Mounting Brackets may need to be bent inward to allow the #2 Front Panel to sit flush to the cargo floor. (Figure 3)
27. Press the #3 Front Panel Extension as far outboard as possible to ensure a tight fit to the fender wells on both sides, tighten the (2) bolts securing the Front Panel and Extension together. (Figure 2d)
28. Tighten the fasteners #6.1, #6.2 and #6.4 mounting the #4 & #5 brackets to the front panel. (Figure 2d)

FIGURE 2d

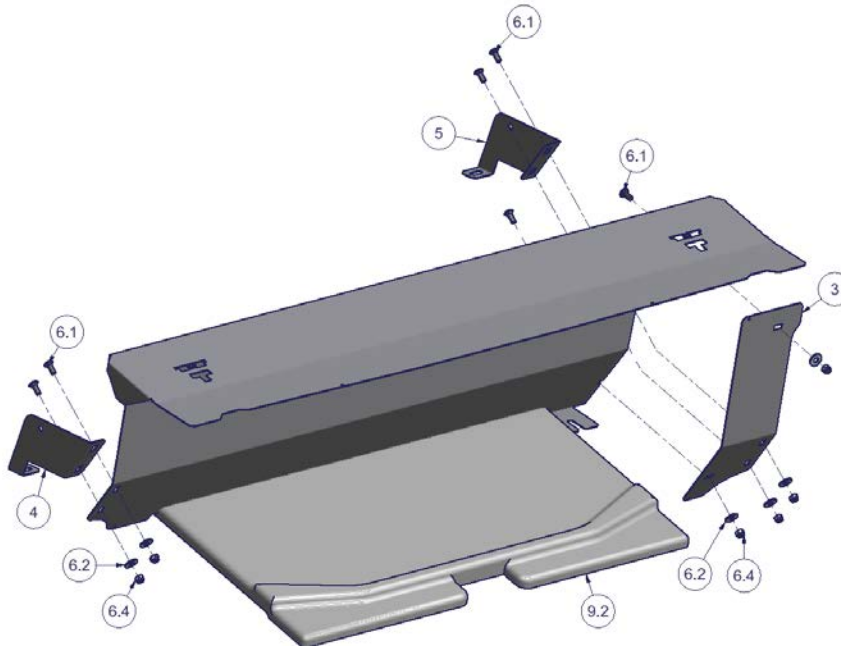
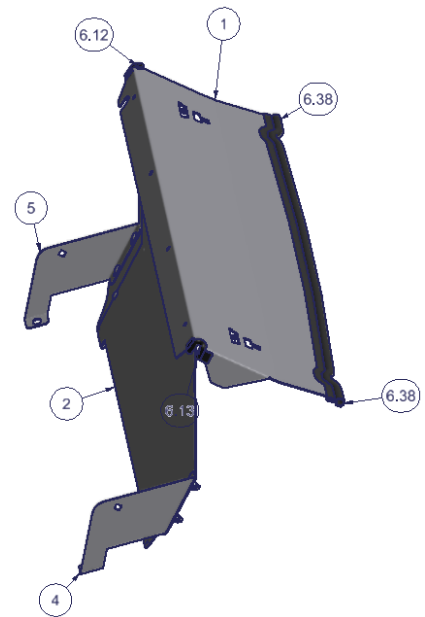


FIGURE 3

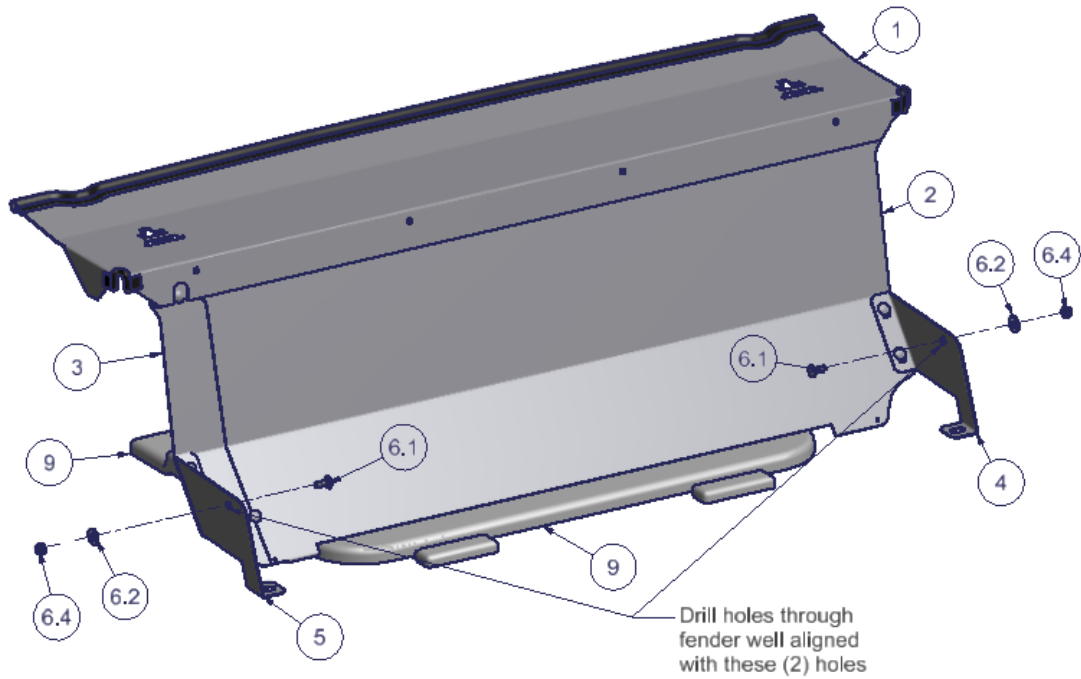


29. Be sure the #2 Front Panel is aligned, centered, and positioned in the vehicle as desired. Verify the #9 OEM Rear Storage Cover (or #143 Tuffy Cubby Cover, if installed) has adequate clearance for operation. Be sure the #2 Front Panel is pushed as far downward as possible for a tight fit to the cargo floor. (Figure 4)
30. Mark the fender wells using the holes in the #4 and #5 brackets as a template as illustrated. Then using a drill and 3/8" drill bit, drill through the driver and the passenger side fender well at the square hole in the #4 and #5 Mounting brackets. Be sure to pull the plastic fender liner out of the way to avoid drilling through the fender liner. (Figure 4)

Warning! Be sure there is nothing on the outside of the vehicle fender well which will be damaged when drilling. Most vehicles have a plastic fender liner that should be pulled temporarily out of the way. Be sure to touch-up paint or apply RTV sealant to the drilled holes to prevent corrosion.

31. Install #6.1 bolts, #6.2 washers, and #6.4 nuts through the #4 and #5 mounting brackets and through the drilled holes in the fender wells. The holes cut in the #4 and #5 mounting brackets are square to work with the provided #6.1 carriage bolts and aid in tightening. (Figure 4)

FIGURE 4 (Optional security step)



Call (800) 348-8339 for Technical Support