



# INSTALLATION INSTRUCTIONS

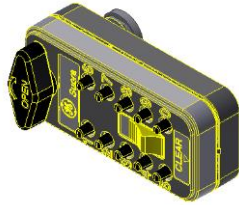
#280 Combo Lock Kit for #167, #171, or #258

(This kit is designed to install on a rear cargo/tactical drawer sold separately.  
Rear cargo drawer must be pre-manufactured to accept this kit.)

## 280 Parts Checklist



#20.4.7 (1) Combo Lock  
Drawer Handle



#20.4.6 (1) 089  
Combination Lock



#20.4.10 (1) Combo  
Cam Arm



#20.4.9 (1) Combo  
Stop Washer

## 280 Shipping Package



#20.4.15 (1) #10-24 x 1/4"  
Cam Screw



#20.4.16 (1)  
#10 washer



#20.4.14 (4) #6-32 x 5/16"  
Torx Screw

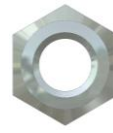
## Parts Removed/Reused from the Drawer



#20.3.2 (4) 5/16-18x7/8"  
Carriage Bolts



#20.3.3 (4) 5/16 Washers



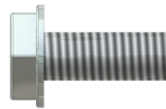
#20.3.4 (4) 5/16 Nuts



#17.1 (2) #8-32 x 1/2"  
Philips Flat-head Screws



#17.2 (2) #8-32 Nuts



#17.4 (4) #10-32 x 1/2" Hex  
Washer Screw



#17.3 (4) #10-32 Flange  
Nuts

## Tools required

- 1/2" socket and a ratchet
- 1/2" Wrench
- 5/16" socket and ratchet or 5/16" wrench
- Philips or Flat screwdriver
- T-15 Torx bit or screwdriver

## Installation Directions

REMOVAL OF THE DRAWER FROM THE ENCLOSURE IS NOT REQUIRED TO PERFORM THIS INSTALLATION. IF THE DRAWER IS TO BE REMOVED, FOR SAFETY THE DRAWER REMOVAL REQUIRES AT LEAST (2) PEOPLE. THE DRAWER SHOULD ALWAYS BE EMPTY BEFORE REMOVING IT. CONSTANT SUPPORT MUST BE APPLIED TO HOLD UP THE FRONT OF THE DRAWER THROUGHOUT THE ENTIRE REMOVAL PROCESS SO IT DOES NOT CAUSE INJURY AND/OR DAMAGE.

**BEFORE BEGINNING THIS INSTALLATION, VERIFY THAT YOUR REAR CARGO OR TACTICAL GEAR DRAWER HAS BEEN MANUFACTURED TO ACCEPT THIS COMBO LOCK KIT. THE DRAWER FRONT MUST FEATURE HOLES FOR THE COMBO LOCK. A COMBO HOLE COVER PLATE MAY BE COVERING THE COMBO LOCK HOLES. REFER TO FIGURE 1.**

1. Remove the #13 Drawer Front Latch Cover by removing the (2) #17.1 screws and (2) #17.2 nuts on each side followed by the (4) #17.4 screws and (4) #17.3 nuts at the drawer front. Save all hardware and latch cover for reuse. (Figure 1)

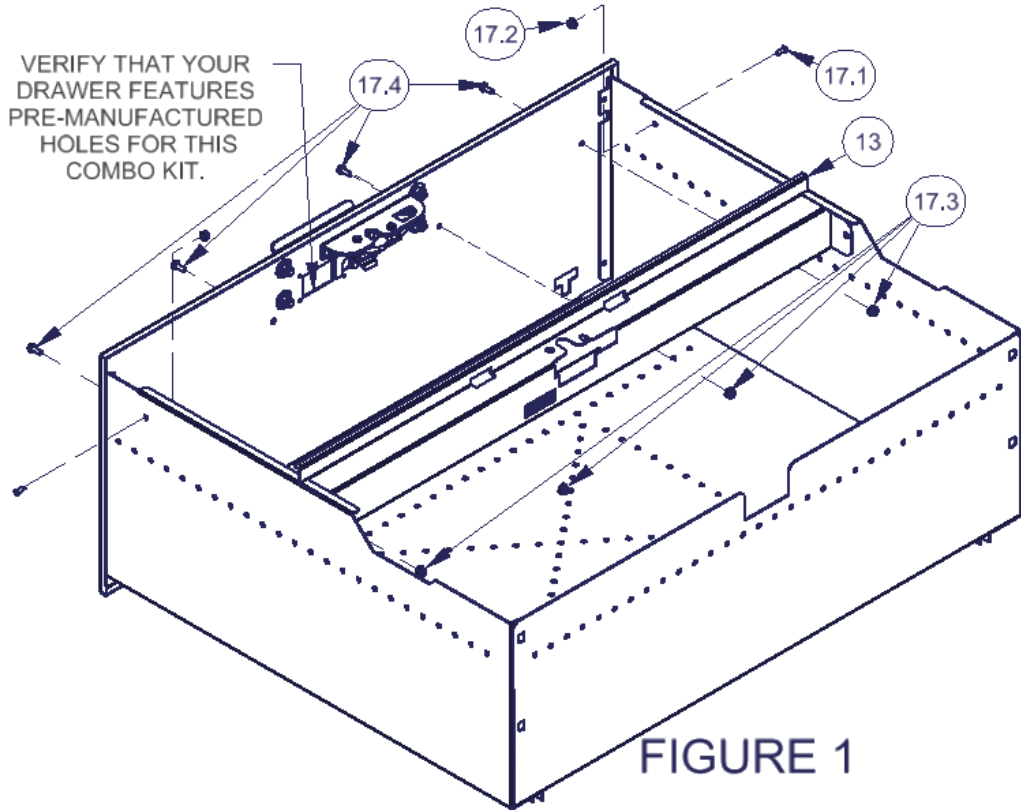


FIGURE 1

2. Remove the #20.3.1 Standard Drawer handle and #20.3.5 Combo Hole Cover Plate by removing the (4) #20.3.2 carriage bolts, (4) #20.3.3 washers, and (4) #20.3.4 nuts. Save all hardware for reuse. (Figure 2)

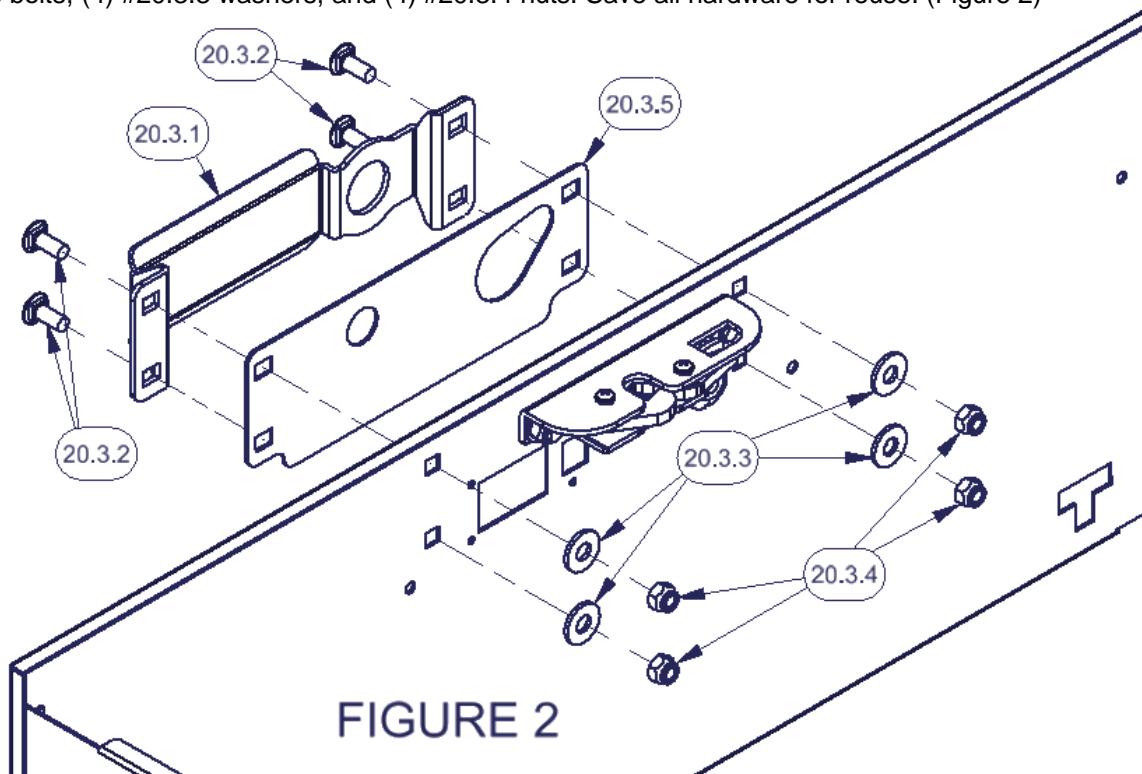
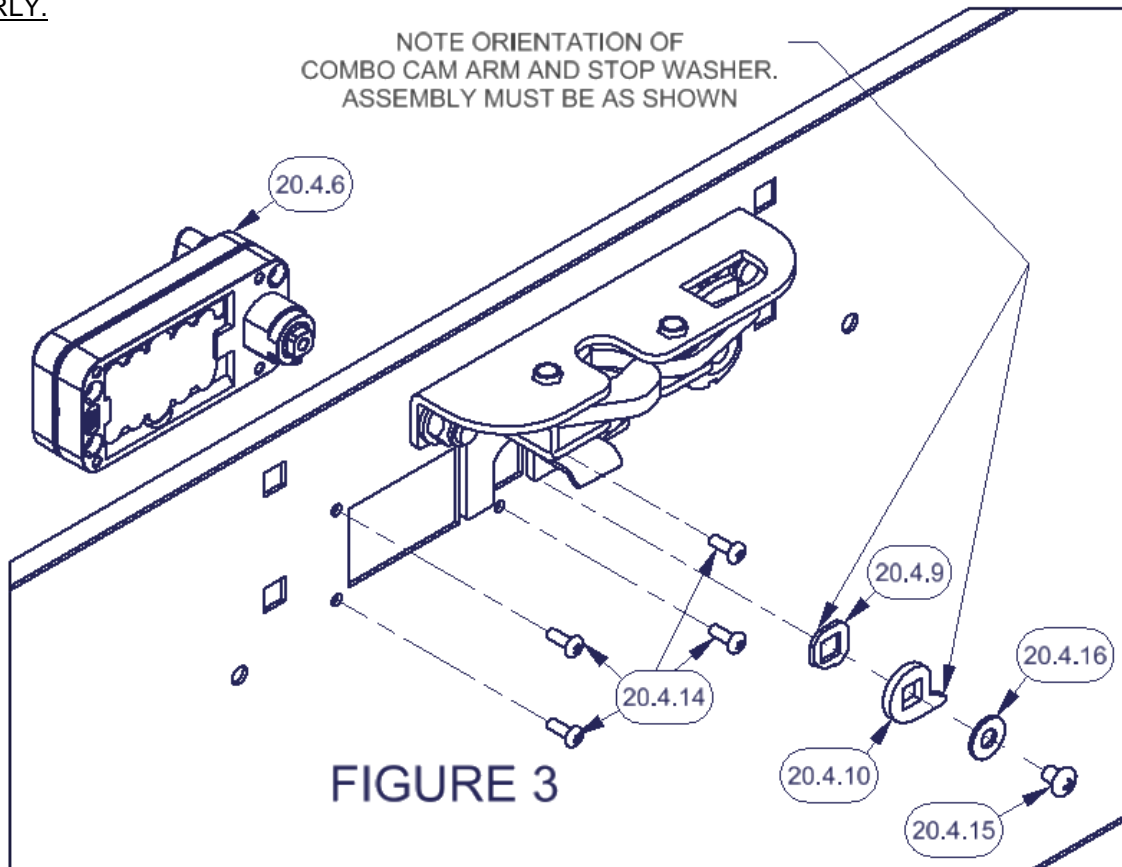


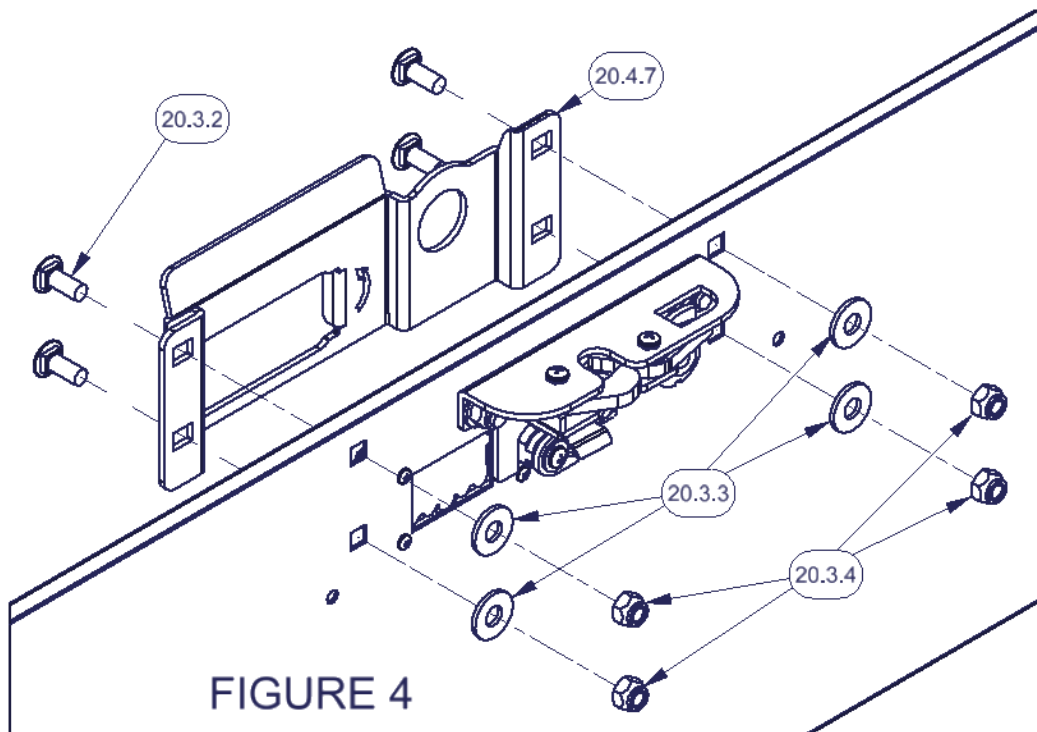
FIGURE 2

3. Install the #20.4.6 Combination Lock Assembly through the pre-manufactured holes in the #9 Drawer Front. Fasten the combo lock to the drawer front with the (4) #20.4.14 screws. Install the #20.4.9 Stop Washer and the #20.4.10 Combo Cam onto the combination lock assembly shaft. Fasten with the (1) #20.4.16 washer and (1) #20.4.15 screw. (Figure 3)

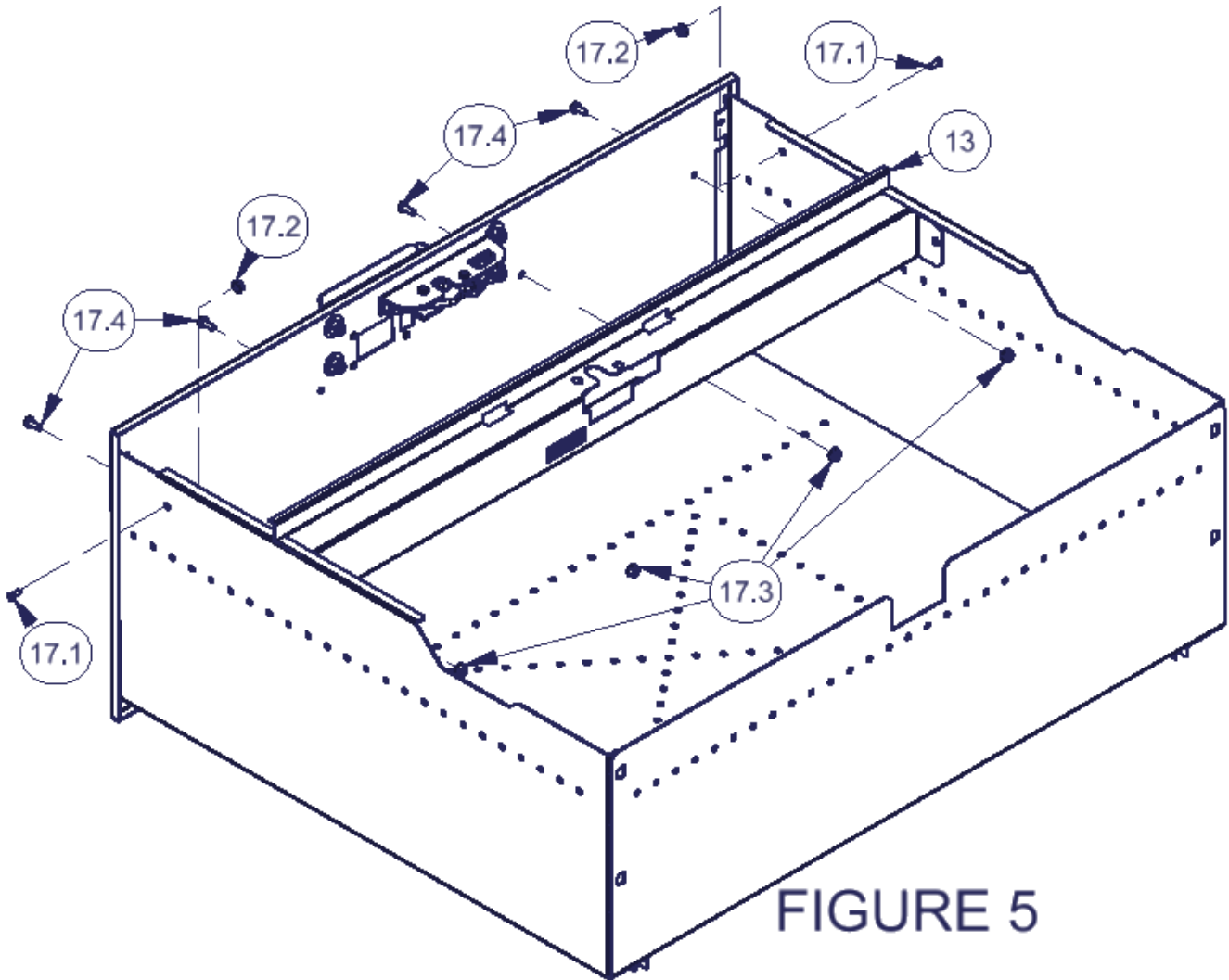
**\*\*NOTE THE POSITION AND ORIENTATION OF THE STOP WASHER AND COMBO CAM IN FIGURE 4. BOTH MUST BE INSTALLED CORRECTLY ONTO THE SHAFT IN ORDER FOR THE COMBINATION TO FUNCTION PROPERLY.**



4. Install the #20.4.7 Combo Lock Drawer Handle to the front of the drawer and install with the (4) #20.3.2 carriage bolts, (4) #20.3.3 washers, and (4) #20.3.4 nuts (removed in Step 2). (Figure 4)



5. It is most convenient to set the combination lock code at this time(See Appendix A).  
  
\*\*DO NOT CLOSE THE DRAWER AT THIS TIME. Test the operation and function of the combination lock and the original pushbutton lock before closing the drawer.
6. Test the combination lock and the original pushbutton lock by closing, unlocking and reopening the drawer. Refer to Appendix A.
7. Finally, re-install the #13 Drawer Front Latch Cover into position and fasten with the (2) #17.1 screws and (2) #17.2 nuts on each side followed by the (4) #17.4 screws and (4) #17.3 nuts at the drawer front. (Figure 5)



## ATTENTION:

### ***FREQUENT LUBRICATION IS NECESSARY ON THE LOCKING SYSTEM***

The pushbutton lock contains an “O” ring seal to protect the interior from dust and water. If this mechanism is not lubricated regularly it will become difficult to operate and it may not return to its home position preventing the key from operating the lock. If this happens simply pull up on the pushbutton to manually bring it back to its home position. Lubricate the pushbutton with a light lubricant such as silicone spray. The pushbutton may have to be periodically disassembled and cleaned.



# Appendix A

## OPERATING INSTRUCTIONS

### 089 COMBO LOCK MOUNTED IN LATCHRTC90CMBO

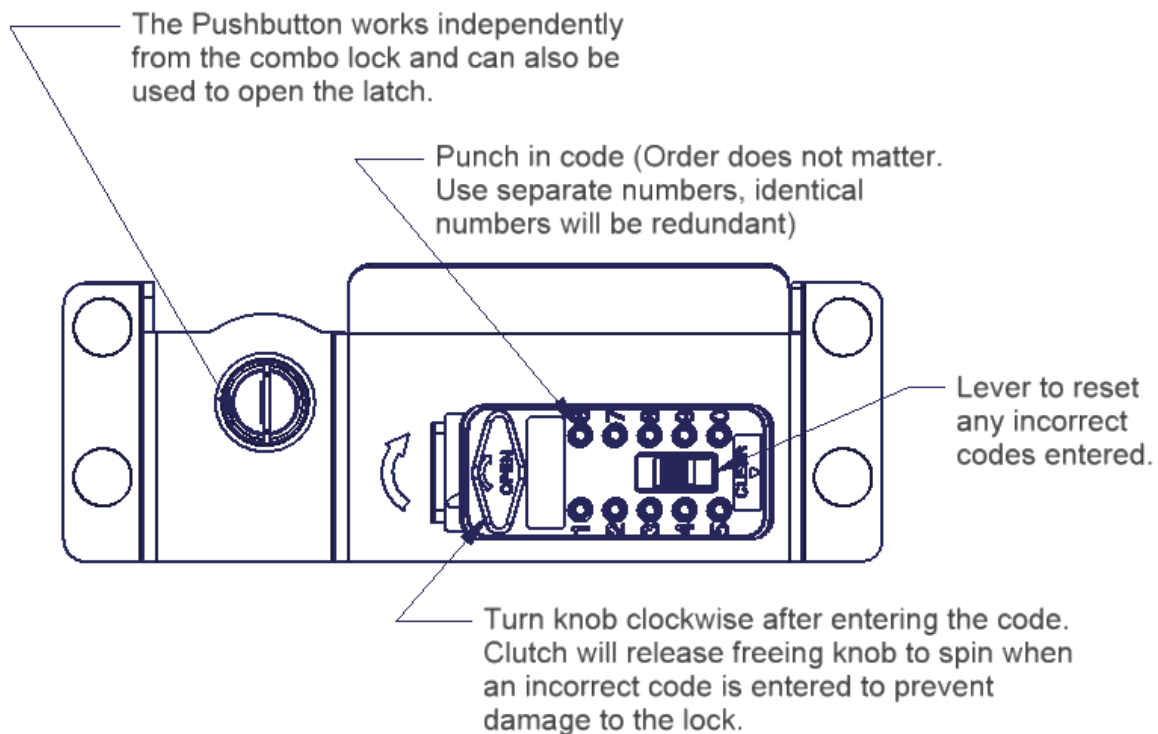
Call (800) 348-8339 for Technical Support

## Instructions for Changing the Combination

**Attention:** The combination pushbutton lock is typically shipped from the factory with either no code entered yet or “12345” and will need to be reset by the customer. Alternative pre-programmed code is \_\_\_\_\_

1. Selecting your combination
  - 1.1. Please look at the front of the combination lock. There are buttons numbered 1 through 0. There is also an OPEN lever and a CLEAR button. (See Figure 1)
  - 1.2. Select your own combination and keep the combination in a safe place.
  - 1.3. Select between four and seven numbers in your combination. Each number can only be used one time. Do not use number combinations that can be easily guessed. **This is not a sequential combination lock. For example, 12345 and 54321 will both unlock the lock. DO NOT SET ALL THE ARROWS TO THE OFF POSITION. Doing so requires no combination entered to unlock. If you wish to disable the combination lock, contact Tuffy customer support.**

**Figure 1**



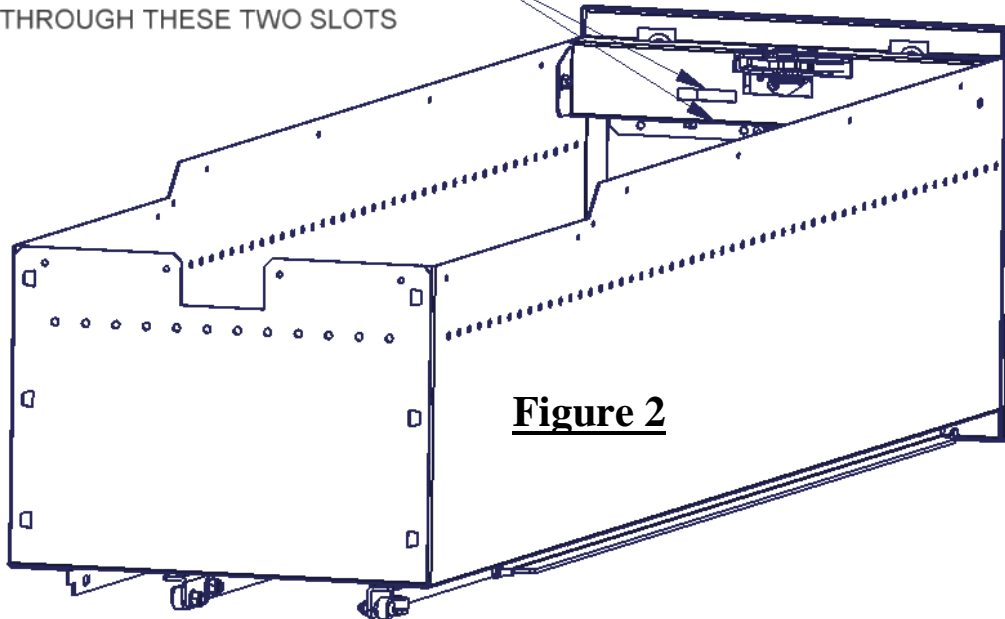
**ATTENTION!** Be sure to hold the knob open while pulling the drawer open or the latch will re-engage when the lever is released preventing the drawer from opening

2. Setting your combination

**WARNING: Improperly setting the combination is not covered under the warranty. Do not disassemble the lock. Doing so voids the warranty.**

- 2.1. Press on the CLEAR to reset the combination lock. (See Figure 1)
- 2.2. Looking through the slots in the latch cover on the inside of the drawer you will see ten numbered buttons with arrows. (These are actual upside down the way the latch is installed) These numbers correspond to the numbered button on the front of the lock. (See Figure 2 and 3)

CHANGE THE COMBINATION  
USING A SCREWDRIVER  
THROUGH THESE TWO SLOTS



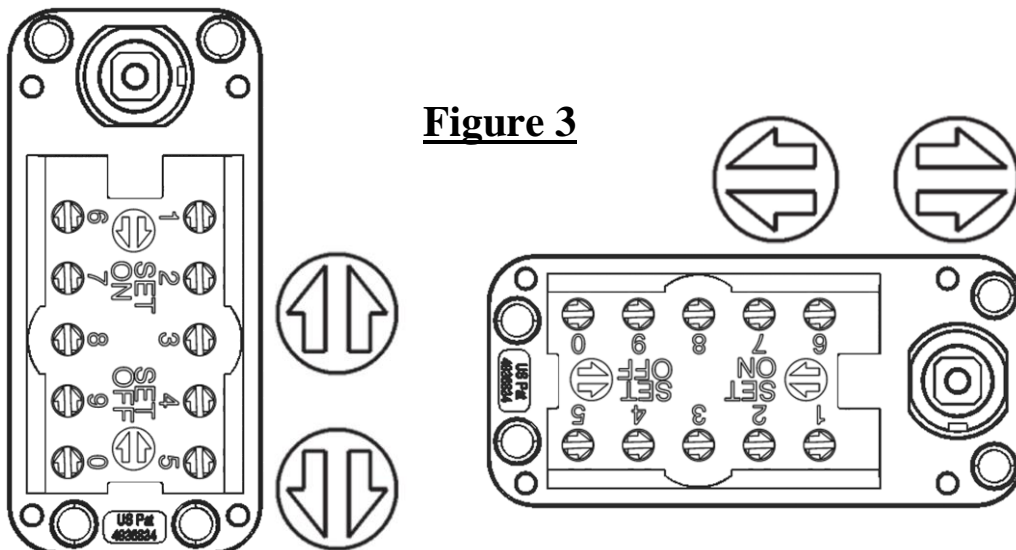
**Figure 2**

- 2.3. The arrows on the screws are pointing in the direction which the previous codes were set to. (See Figure 3)

**IMPORTANT: Open knob must be in LOCKED position before the code can be changed.**

- 2.4. Use a small screwdriver to rotate the arrows. For each number in your combination, apply light pressure and rotate a half turn so that the arrow points correctly (SET ON) and snaps up. Be sure to reset all the arrows to SET OFF before entering the new combination. (See Figure 3)
- 2.5. Check to make sure that the arrow of any number that is not in the combination is pointing the correct direction (SET OFF). (See Figure 3)

**CAUTION: Arrows must point either direction (SET ON or SET OFF). An arrow pointing differently indicates that it has not snapped up, the combination will not work. Test the combination before locking the drawer.**



**Figure 3**

3. Testing your combination before closing the drawer.

**Please note: This product is equipped with a clutch mechanism to protect it from forced entry. Do not be alarmed if the OPEN lever turns even if the correct combination has not been entered.**

- 3.1. Do not close the drawer. Press on the latch mechanism on the inside of the box to engage the latch.
- 3.2. Make sure OPEN lever is in home position. If not, turn OPEN lever counterclockwise until it's in the home position. On the front of the lock, push only the numbered buttons in your combination. If a mistake is made, shift the CLEAR lever and re-enter the combination. (See Figure 1)
- 3.3. Turn the OPEN lever clockwise to disengage the latch mechanism. When the latch mechanism disengages it will spring back open again. If you have entered an incorrect combination, you can return the buttons to their original setting by shifting the CLEAR lever. (See Figure 1)
- 3.4. When you turn the lever, the combination will clear. (See Figure 1)
- 3.5. To relock the combination lock turn the OPEN lever counter-clockwise. (See Figure 1)

4. Test the combination lock by closing, unlocking and reopening the drawer.

**ATTENTION: The OPEN lever must be turned clockwise and held in position while at the same time the drawer is pulled open. The drawer has an anti-rattle feature which requires moderate force to initially pull the drawer open then it moves smoothly on the slide system.**

- 4.1. Close the drawer until the latch engages.
- 4.2. Make sure OPEN lever is in home position. If not, turn OPEN lever counterclockwise until it's in the home position. On the front of the lock, push only the numbered buttons in your combination. If a mistake is made, shift the CLEAR lever and re-enter the combination. (See Figure 1)
- 4.3. Turn the OPEN lever clockwise to disengage the latch mechanism and pull the drawer open while holding the OPEN lever clockwise. Releasing the lever before pulling the drawer open will allow the latch to re-engage preventing the drawer from opening. (See Figure 1)