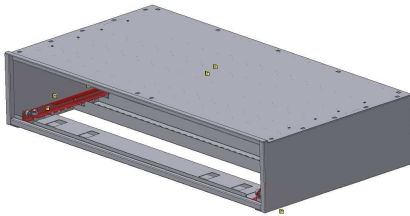




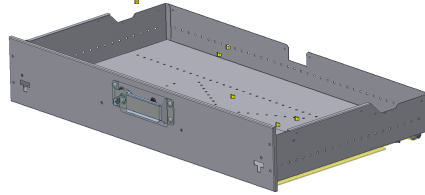
INSTALLATION INSTRUCTIONS

#290 Ford Crown Victoria (1998-2011) Tactical Security Drawer Mounting Kit
(This kit is designed to mount on the rear cargo drawer sold separately)
Please read and fill out the enclosed warranty registration card to activate your warranty.

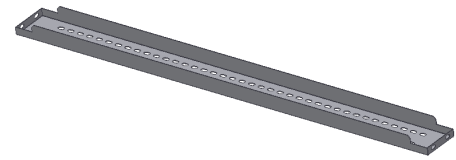
Parts used which are included with the drawer assembly



Enclosure

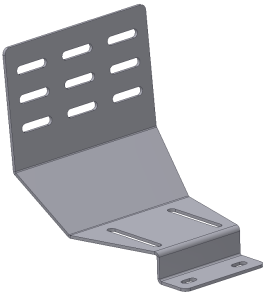


Drawer

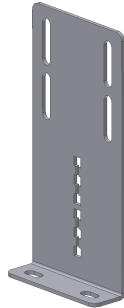


#8 (1) Mounting Brackets

284 Mounting Kit Parts



#1 (2) Trunk Hinge
Mounting Bracket

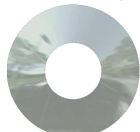


#2 (2) Adjustable
Riser Bracket

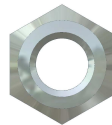
284 Shipping Package



#4.1 (11) 5/16"
x3/4" Carriage
Bolts



#4.2 (11) 5/16"
Washers



#4.3 (11) 5/16
Nylock Nuts

Tools required

- 1/2" Shallow socket with a long extension and a ratchet (Universal joint also helps)
- 1/2" Wrench

WARNING! This drawer is rated to hold a maximum of 250# evenly distributed. The enclosure is rated to hold 250# on top evenly distributed. This would include any dividers mounted in the drawer. Never stand or sit on the Tuffy drawer or enclosure. The vehicle should not be operated with the drawer opened and not secured shut. The drawer should not be operated/opened when not level. Keep hands clear of moving parts and pinch points when maneuvering the drawer. Do not exceed the rated weight capacity for this product.

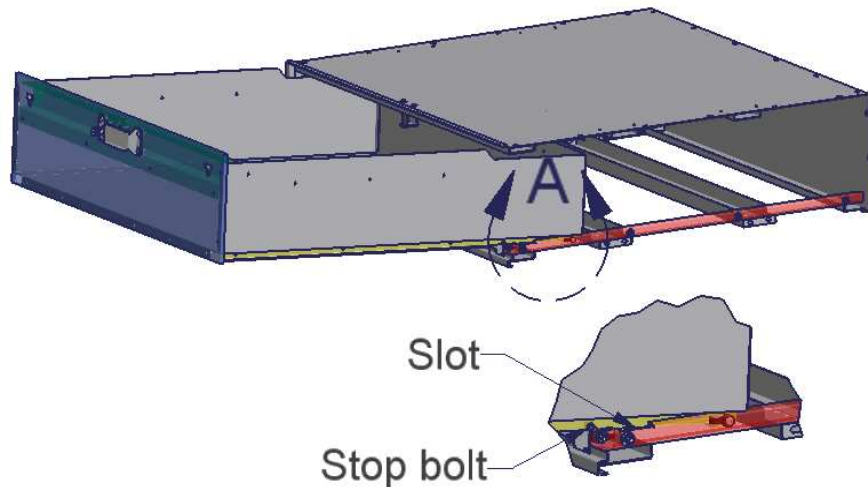
Mounting Directions

FOR SAFETY THE DRAWER REMOVAL REQUIRES AT LEAST (2) PEOPLE. THE DRAWER SHOULD ALWAYS BE EMPTY BEFORE REMOVING IT. CONSTANT SUPPORT MUST BE APPLIED TO HOLD UP THE FRONT OF THE DRAWER THROUGHOUT THE ENTIRE REMOVAL PROCESS SO IT DOES NOT CAUSE INJURY AND/OR DAMAGE.

1. Check the trunk upper deck of the vehicle for important gear or items which require access in an emergency (Jack, spare tire, spare tire access, fuses, radio equipment, etc.). Remove and relocate any inaccessible items as required. In most applications, the spare tire and jack must be relocated.

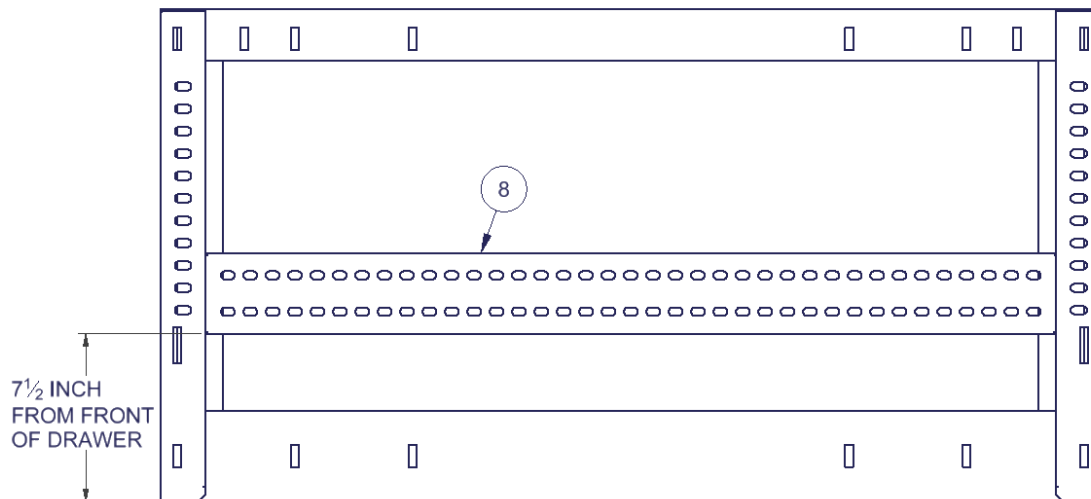
- The mounting bracket location measurements in these instructions are for a standard 1998-2011 Ford Crown Victoria rear trunk configuration (#6). Due to the wide variety of options, models, and other variables your vehicle may be different. If the dimensions in the vehicle where the drawer will be installed vary from the illustrations shown, the dimensions for the mounting locations will need to be adjusted. The mounting system was designed to be flexible to accommodate a variety of mounting applications.
- Remove the drawer from the enclosure. Pull the drawer out until it stops. Lift up the front of the drawer and pull it out a few inches further until the stop bolts on the drawer slides clear the rollers on the enclosure slide. Pull the drawer again until it stops being sure to support the front of the drawer. Pivot the front of the drawer down and lift the rear end of the drawer out so the rollers on the drawer slides pull free through the slots in the enclosure slides. Reverse steps to install. (See Figure 1)

FIGURE 1



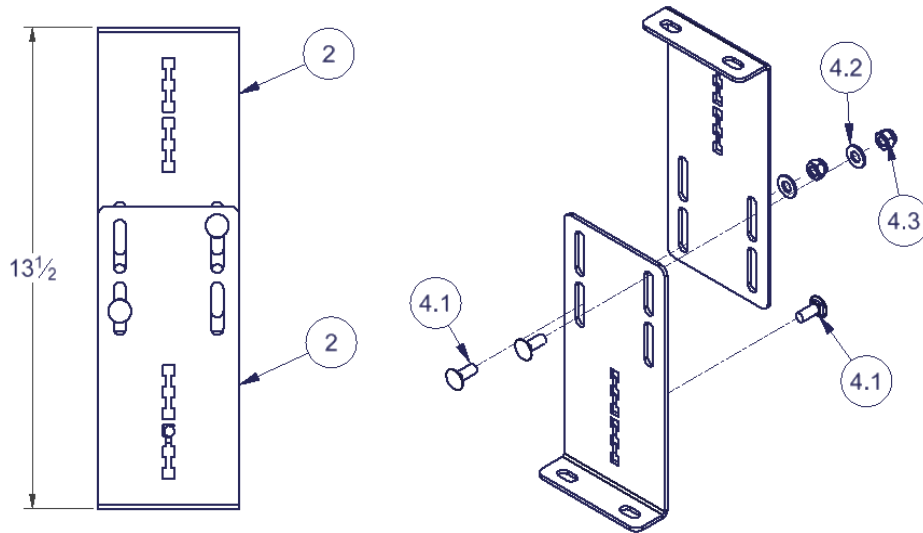
- For a standard mounting application, as described above, fasten only (1) #8 mounting bracket to the drawer enclosure with the illustrated hardware. These bolts are difficult to reach; Use a 1/2" shallow socket with a long extension and a ratchet (Universal joint also helps) and a 1/2" wrench on the other end. Unbolting the slide using a 7/16" wrench will make things easier as well. **These parts and fasteners are included with the drawer.** (See Figure 2)

FIGURE 2



- Assemble the #2 Adjustable Tall Riser mounting brackets using the hardware illustrated. Leave the hardware hand tight at this time. The #2 Mounting bracket is designed for tight fitment of the (1) #4.1 carriage bolt installed to bolt to the drawer enclosure. The carriage bolt may have to be firmly pressed into one of the square holes. The #2 bracket has a series of interconnected square holes to receive the carriage bolt and also allow adjustment of the height of the rear of the drawer enclosure. (Figure 3)

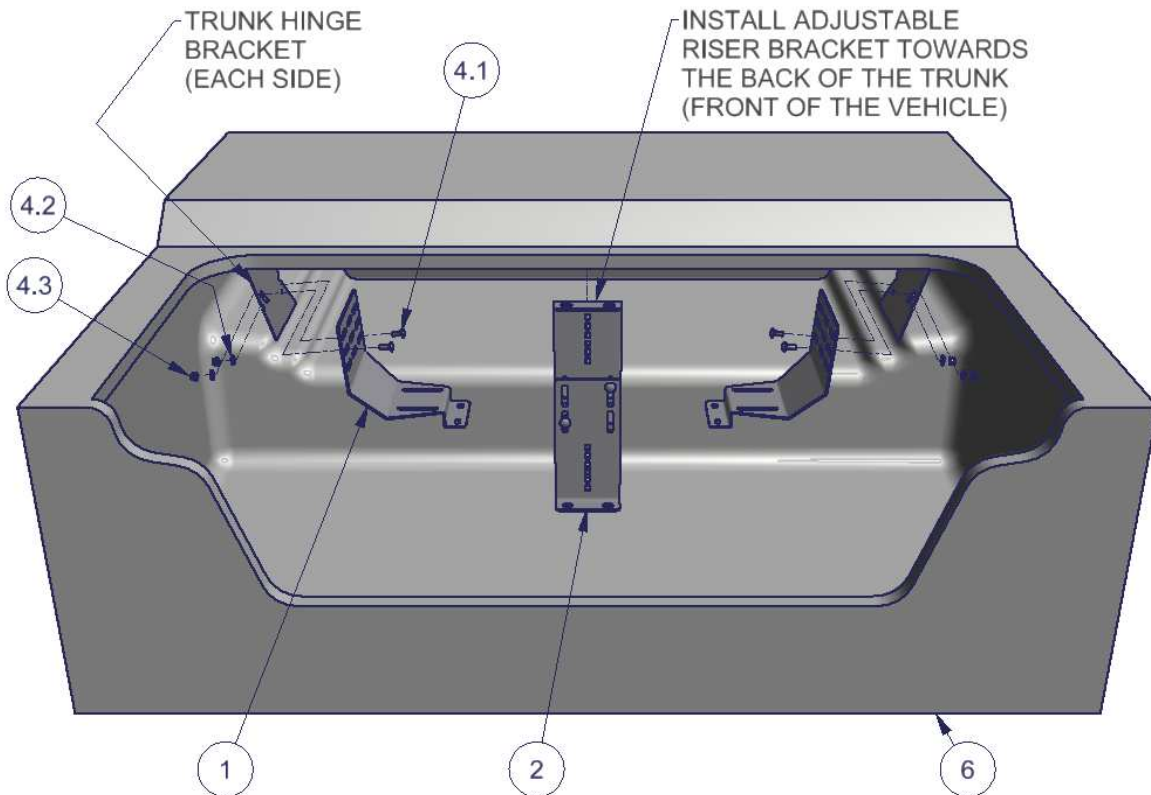
FIGURE 3



**REAR MOUNTING ASSEMBLY
REAR VIEW**

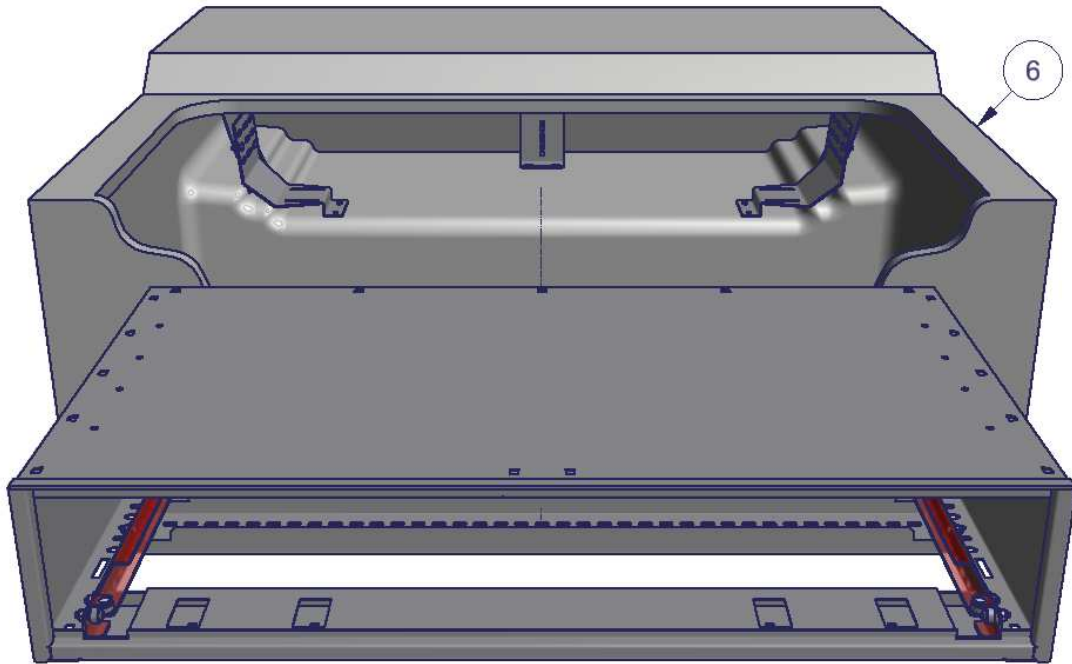
6. Install the assembled #2 Adjustable Mounting bracket into the vehicle upper trunk deck. Position the #2 Mounting bracket as close to centered (left-to-right) as possible and approximately to the rear of the trunk (towards the front of the vehicle). Expand the #2 Adjustable Mounting bracket to fit tightly between the trunk deck floor and the trunk top. Tighten the hardware. (Figure 4)
7. Install the #1 Trunk Hinge Mounting Brackets to the inboard side of the left and right OEM trunk hinge support using the hardware illustrated. The #1 Mounting brackets can be aligned to pre-existing holes in the OEM trunk hinge support. Some vehicle models feature multiple holes, while others may only have one hole for attaching the #1 Mounting brackets. Additional holes may need to be drilled through the trunk hinge support for mounting the #1 brackets. (Figure 4)

FIGURE 4



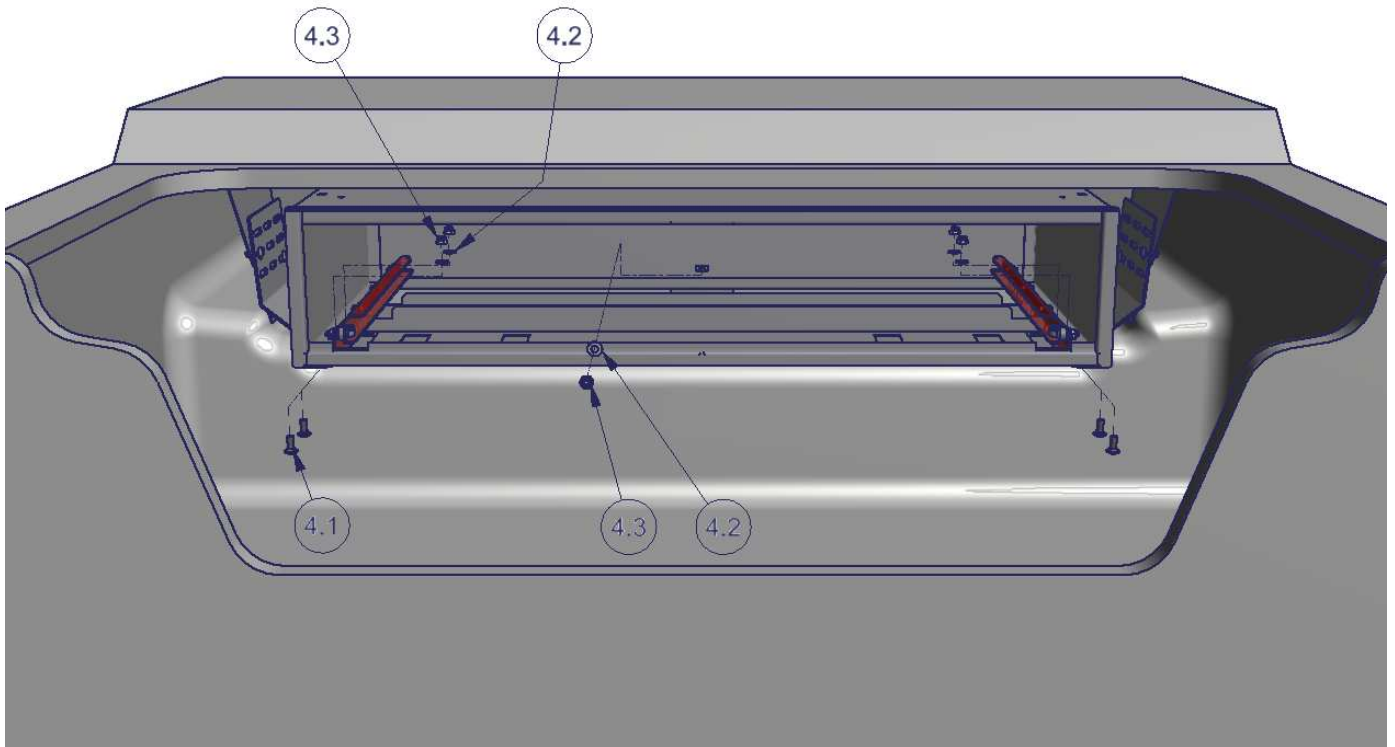
8. Install the Drawer enclosure into the vehicle trunk to sit on top of the #1 Mounting bracket platform. Make sure the #4.1 bolt positioned in the #2 Mounting bracket installs through the hole in the rear of the Drawer enclosure. (Figure 5)

FIGURE 5



9. Fasten the Drawer enclosure using #4.1 bolts, #4.2 washers and #4.3 nuts as illustrated and tighten. (Figure 6)

Figure 6



10. Insert the drawer and test the operation. Make sure there is clearance between the drawer handle and the rear of the trunk. Test to make sure that access to any important compartments in the floor or side panels are maintained. Test to make sure the mounting brackets are tight enough to hold the drawer enclosure tightly when opening and closing the drawer. If the drawer has a tendency to self-close, it may be necessary to adjust the position of the mounting bolt on the #2 bracket to level the drawer to remain open when desired.
11. Additional mounting holes are provided in the #1 and #2 Mounting Brackets to allow the assembly to be screwed or bolted down to the trunk deck for added stability, if necessary. Be careful when drilling or screwing into the trunk deck, as the gas tank is typically mounted underneath.

Warning! Be sure there is nothing on the underside of the vehicle floor which will be damaged when screwing or drilling. Most vehicles have a gas tank, gas lines, and/or exhaust mufflers in that area.

ATTENTION:

FREQUENT LUBRICATION IS NECESSARY ON THE LOCKING SYSTEM

The pushbutton lock contains an "O" ring seal to protect the interior from dust and water. If this mechanism is not lubricated regularly it will become difficult to operate and it may not return to its home position preventing the key from operating the lock. If this happens simply pull up on the pushbutton to manually bring it back to its home position. Lubricate the pushbutton with a light lubricant such as silicone spray. The pushbutton may have to be periodically disassembled and cleaned.

Call (970) 564-1762 for Technical Support