



# INSTALLATION INSTRUCTIONS

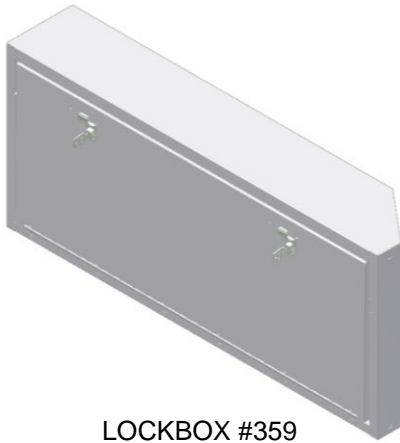
## 2007-2018 JK Wrangler Tailgate Lockbox #359

Fill out the enclosed warranty card or register online at [tuffyproducts.com/warrantyreg.aspx](http://tuffyproducts.com/warrantyreg.aspx).

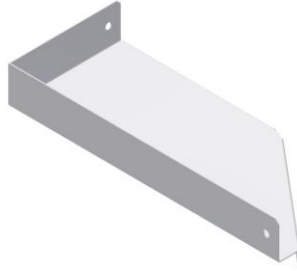
### QC CHECK

- \_\_\_\_ SHIP PACK CONTENTS
- \_\_\_\_ VISUAL INSPECTION
- \_\_\_\_ RUBBER SEALS
- \_\_\_\_ LOCK FUNCTION TEST
- \_\_\_\_ SHIPPING/KEY PACK

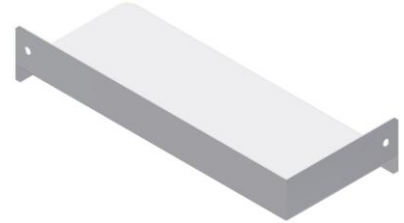
### PARTS CHECKLIST



LOCKBOX #359

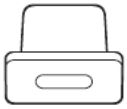


#8 REMOVABLE SHELF (RIGHT)



#9 REMOVABLE SHELF (LEFT)

### SHIPPING PACKAGE CHECKLIST



#11.1 (4) PLASTIC INSERT (IN KEY BAG)



#11.2 (2) 29 1/2" "DOUBLE" D-SEAL



#11.3 (4) #10 x 5/8" SCREW



#11.4 (4) #10 FLAT WASHER



#11.5 (6) #10-32 x 3/16" SCREW

### Tools needed for standard installation

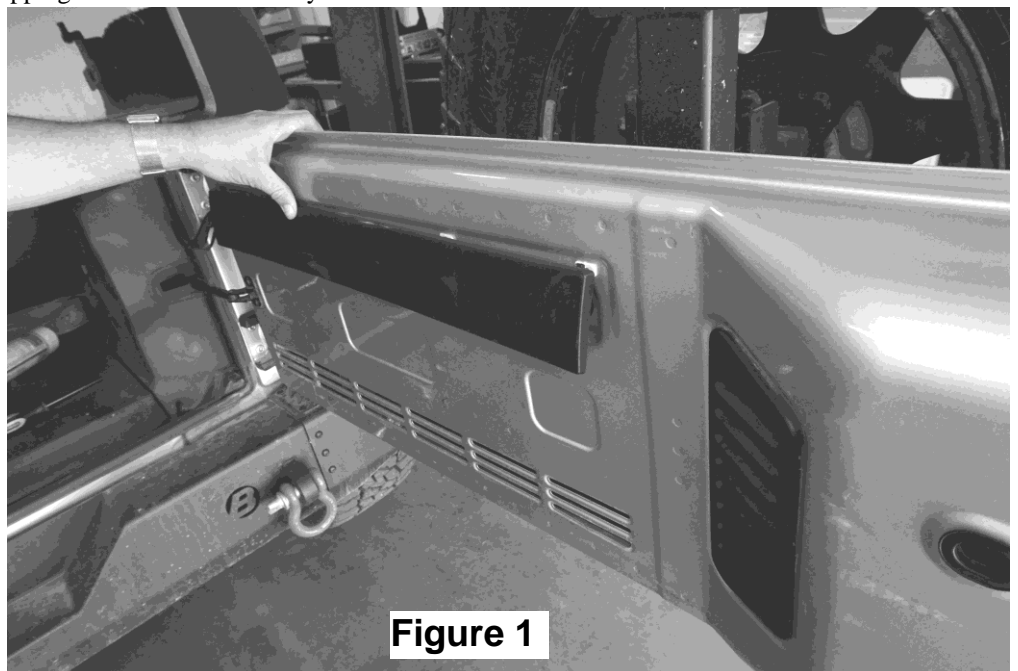
- Panel Removal Tool

- Phillips Head Screwdriver

### PLEASE READ ALL INSTRUCTIONS THOROUGHLY BEFORE STARTING INSTALLATION.

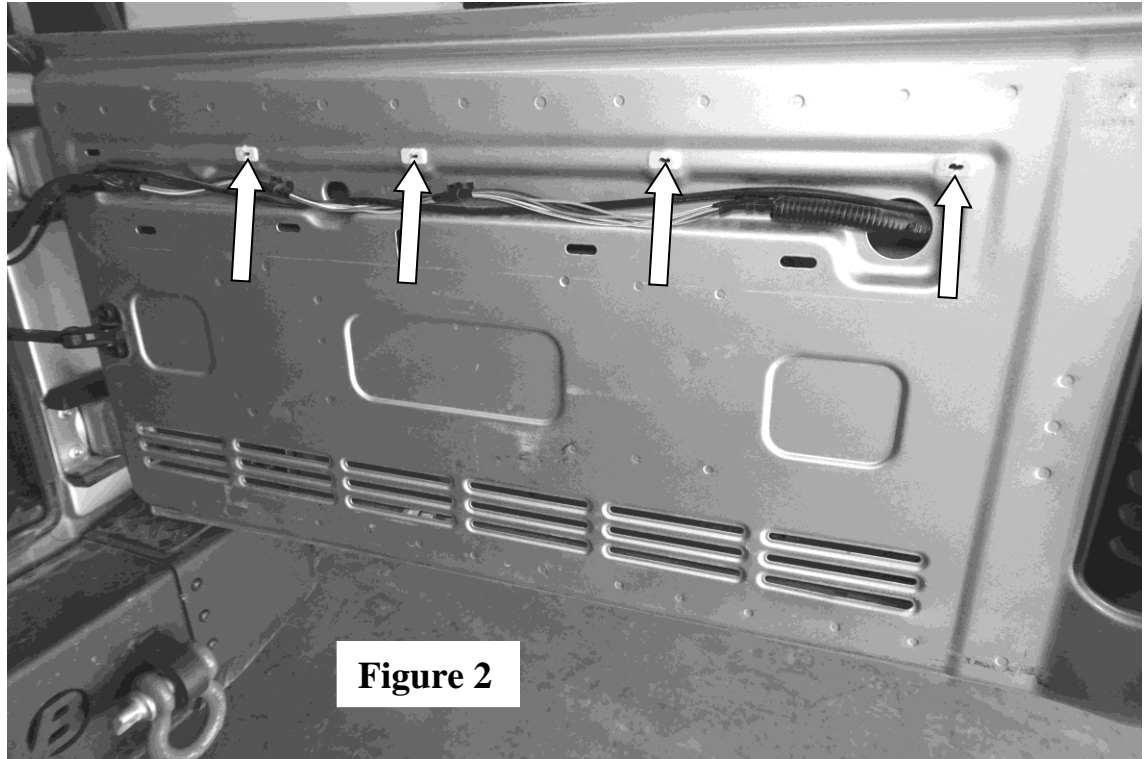
1. Remove all the contents from the shipping box and confirm that you have all the items listed above.

2. Open the tailgate and remove the trim panel from the inner surface, by lifting at the bottom of the panel. See Figure 1



**Figure 1**

3. Install (4) #11.1 Plastic Inserts(found in the key bag) into the upper-right most holes, as shown in Figure 2.

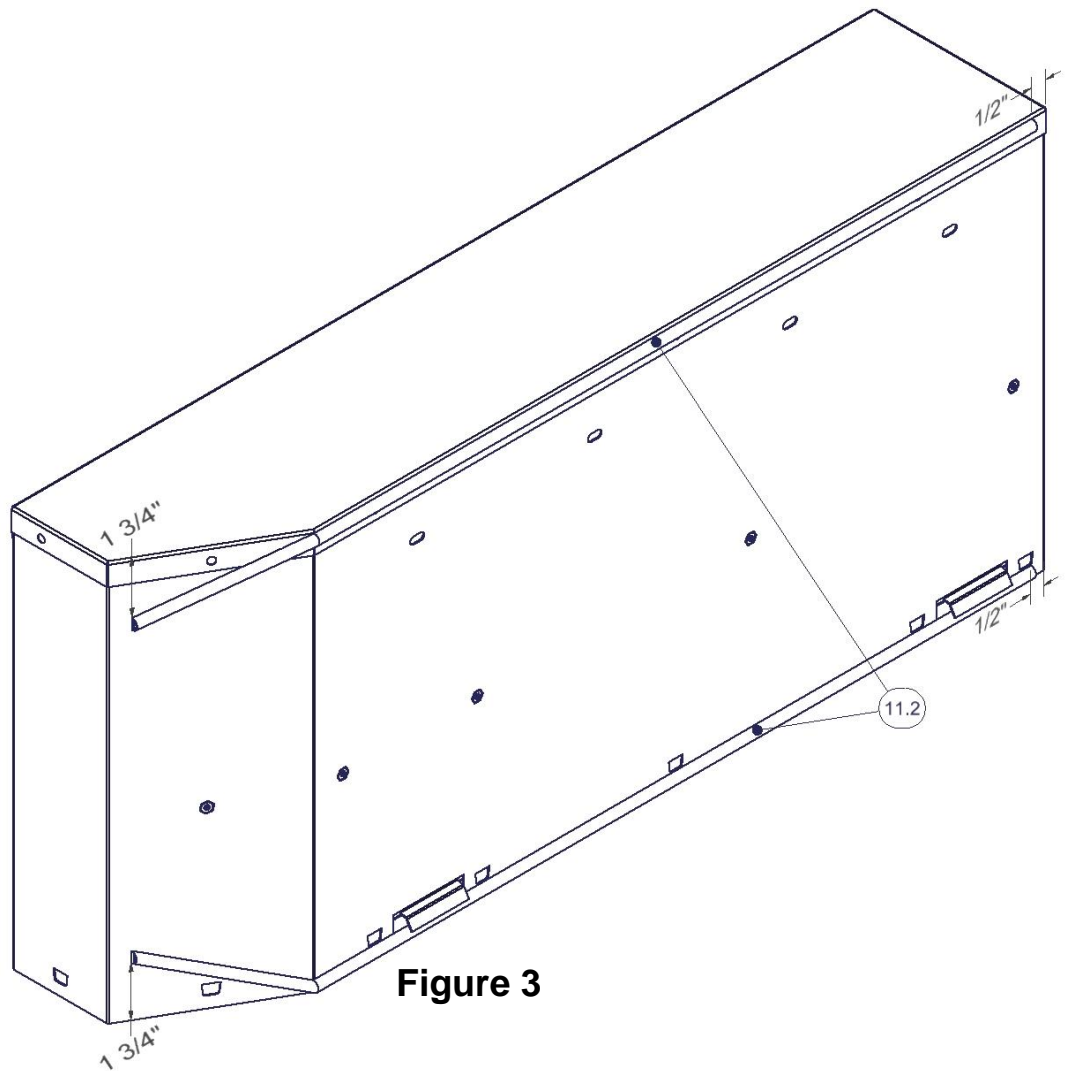


**Figure 2**

4. Separate the #11.2 Double D-Seal into two pieces (lengthwise) and apply them to the back of the 359 Lockbox as shown in Figure 3.

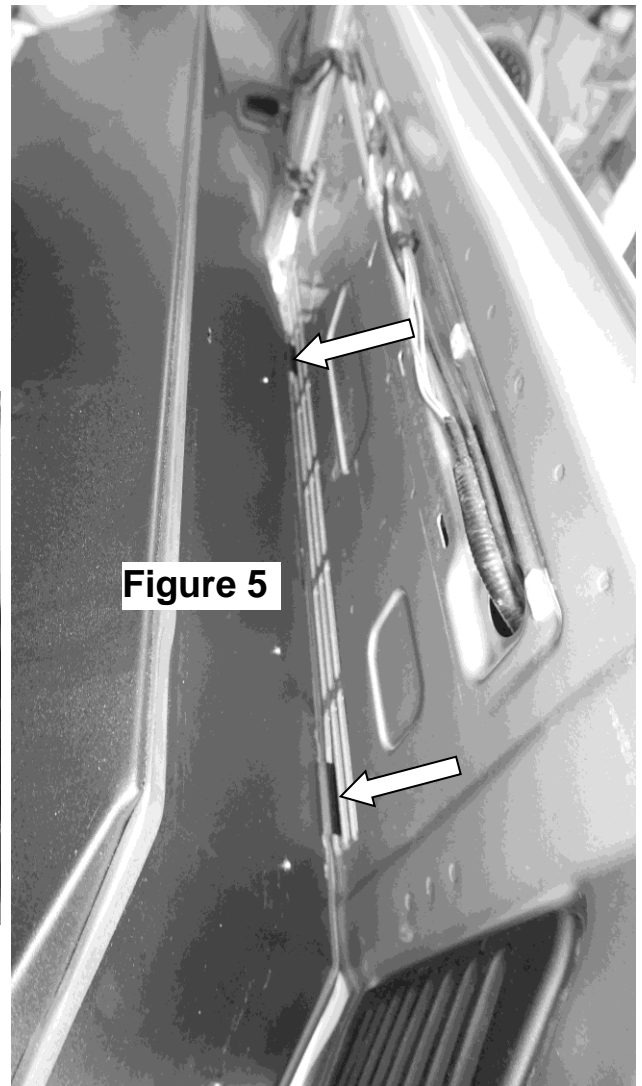
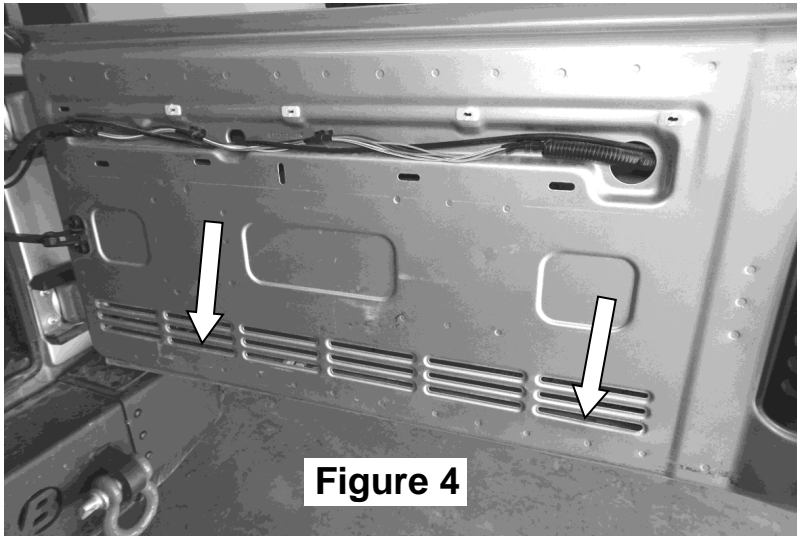
**NOTE:** The D-seal should be placed as close to the top and bottom of the Lockbox as practical.

**NOTE:** 1 3/4" rise/drop along the angled edge matches the contour of the tailgate surface.

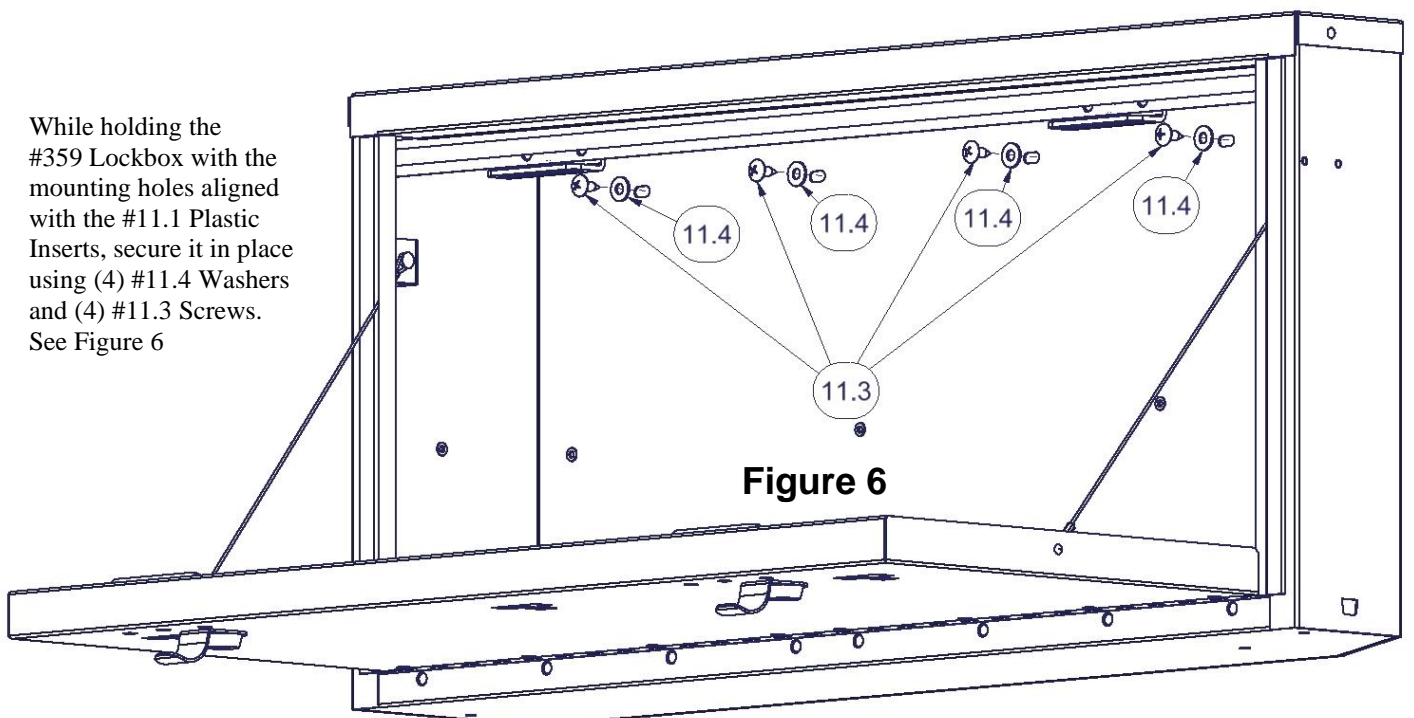


**Figure 3**

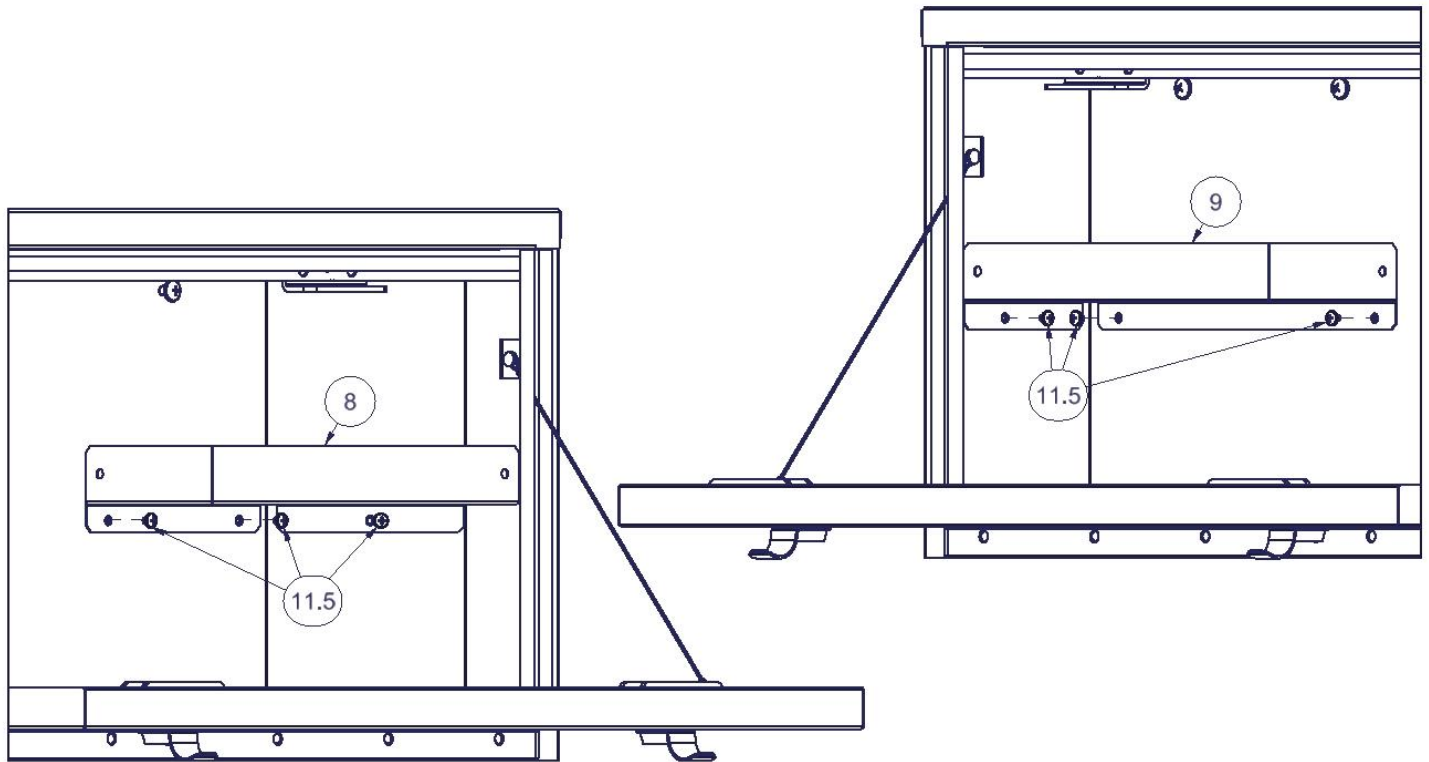
5. Insert the metal tabs at the bottom of the #359 Lockbox into the indicated slots at the bottom of the tailgate and rotate into place. See Figures 4 and 5.  
**NOTE:** Arrows indicate metal tabs and correct tailgate slots.



6. While holding the #359 Lockbox with the mounting holes aligned with the #11.1 Plastic Inserts, secure it in place using (4) #11.4 Washers and (4) #11.3 Screws. See Figure 6



7. Install the removable shelves (#8 and #9) using the (6) #11.5 Machine Screws. See Figure 7



**Figure 7**

**CAUTION:** Lid may be used as a table but should not be loaded beyond 40lbs (18 kg), replacement cables are available from Tuffy Security Products.